



Meridian™ Ball Valve

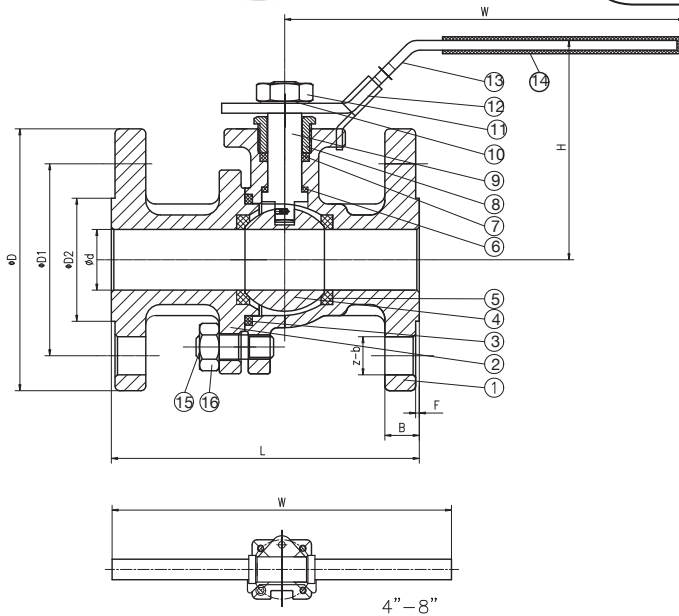
Model #: M2150SF-R

CLASS 150 SPLIT BODY FULL PORT



FEATURES

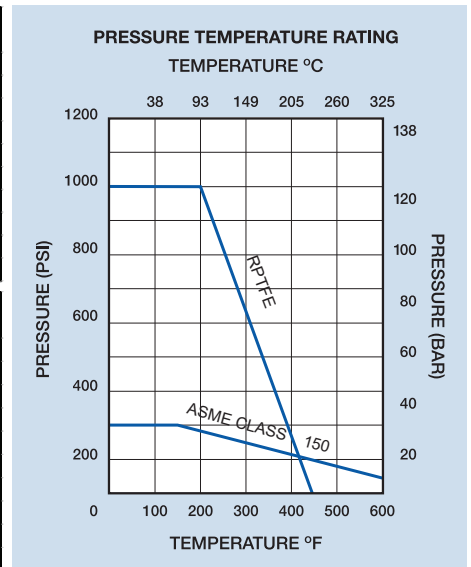
- ASME Class 150
- Face to face according to ASME B16.10
- Flanged ends to ASME B16.5
- Pressure tested to API 598
- Adjustable packing nut
- Locking device
- Anti-static device
- Mounting pad per ISO 5211
- Blowout proof stem
- Carbon filled RPTFE seats
- Graphite packing



ITEM	PARTS	MATERIAL
1	BODY	ASTM A351 CF8M
2	CAP	ASTM A351 CF8M
3	JOINT GASKET	RPTFE
4	BALL	ASTM A351 CF8M
5	SEAT	RPTFE
6	THRUST WASHER	PTFE
7	STEM PACKING	PTFE
8	GLAND	ASTM A276-304
9	STEM	ASTM A276-316
10	SPRING WASHER	AISI 304
11	NUT	AISI 304
12	LOCKING DEVICE	SS
13	HANDLE	SS
14	HANDLE COVER	PVC
15	BOLT	ASTM A193 B8
16	NUT	AISI 304

NPS	φd	L	H	W	D	D1	D2	B	F	z-φb	Weight LB	C _v
1/2"	0.59	4.25	2.87	5.12	3.5	2.38	1.38	0.44	0.063	4-5/8	3.53	32
3/4"	0.79	4.61	2.99	5.12	3.86	2.76	1.69	0.44	0.063	4-5/8	4.63	58
1"	0.98	5	3.39	6.3	4.25	3.11	1.97	0.5	0.063	4-5/8	6.61	91
1-1/2"	1.5	6.5	4.69	7.87	5	3.88	2.87	0.56	0.063	4-5/8	11.57	233
2"	1.97	7.01	5	7.87	5.98	4.75	3.62	0.63	0.063	4-3/4	18.74	365
2-1/2"	2.56	7.48	6.38	10.24	7.01	5.49	4.13	0.69	0.063	4-3/4	28.22	560
3"	2.99	7.99	7.32	12.8	7.48	6.00	5	0.81	0.063	4-3/4	38.58	1250
4"	3.94	9.02	9.84	15.75	9.02	7.50	6.18	1	0.063	8-3/4	60.63	2400
6"	5.98	15.5	11.22	29.92	11	9.50	8.5	1.08	0.063	8-7/8	128.97	5400
8"	7.95	18	14.57	43.3	13.58	11.75	10.63	1.12	0.063	8-7/8	272.49	9800

DN	φd	L	H	W	D	D1	D2	B	F	z-φb	Weight KG	C _v
15	15	108	73	130	89	60.5	35	11.2	1.60	4-16	1.6	32
20	20	117	76	130	98	70	43	11.2	1.60	4-16	2.1	58
25	25	127	86	160	108	79	50	12.7	1.60	4-16	3	91
40	38	165	119	200	127	98.6	73	14.3	1.60	4-16	5.25	233
50	50	178	127	200	152	120.7	92	15.9	1.60	4-19	8.5	365
65	65	190	162	260	178	139.5	105	17.6	1.60	4-19	12.8	560
80	76	203	186	325	190	152.5	127	20.7	1.60	4-19	17.5	1250
100	100	229	250	400	229	190.5	157	25.4	1.60	8-19	27.5	2400
150	152	394	285	760	279	241.5	216	27.6	1.60	8-22	58.5	5400
200	202	457	370	1100	345	298.5	270	28.6	1.6	8-22	123.6	9800



DOC 125 10/18



Trust Through Performance

DUE TO CONTINUOUS DEVELOPMENT OF OUR PRODUCTS, WE RESERVE THE RIGHT TO MODIFY OUR PRODUCT DESIGN OR CONSTRUCTION WITHOUT PRIOR NOTICE.