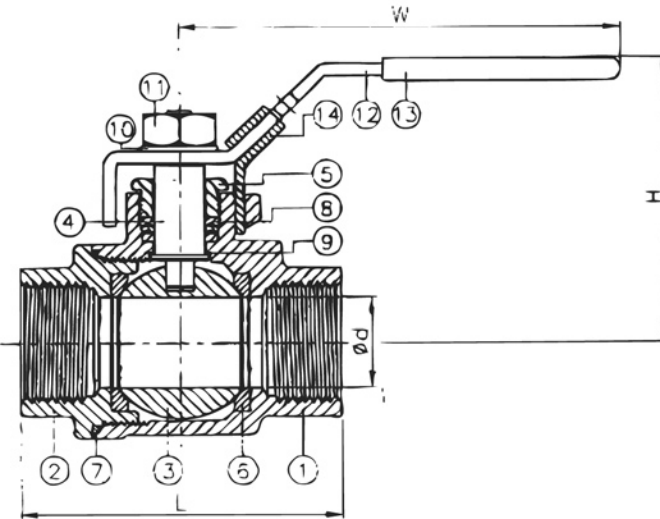
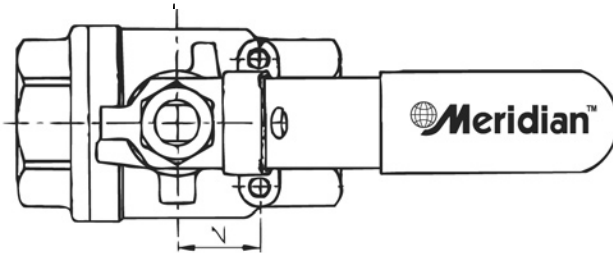




# Meridian™ Ball Valve

Model #: M21SF-S

## 1000 WOG 2-PIECE FULL BORE - SHORT PATTERN



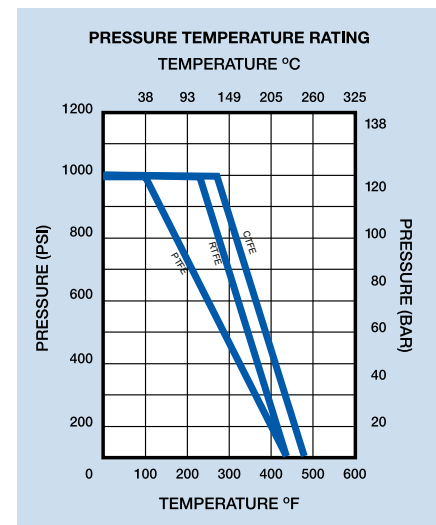
### FEATURES

- Threaded ends conform to ASME B1.20.1 (NPT)
- Investment casting
- Blow-out proof stem
- 1000 psi (1/2" to 3")
- Glassfibre filled PTFE seats
- PTFE seal and packing
- Latch lock handle
- Mounting pad

ITEM	PARTS	MATERIAL
1	BODY	ASTM A351-CF8M
2	END CAP	ASTM A351-CF8M
3	BALL	ASTM A351-CF8M
4	STEM	ASTM A276-316
5	GLAND NUT	AISI 304
6	BALL SEAT	R-PTFE
7	BODY SEAL	PTFE
8	PACKING	PTFE
9	THRUST WASHER	PTFE
10	SPRING WASHER	AISI 304
11	NUT	AISI 304
12	HANDLE	AISI 304
13	HANDLE SLEEVE	PVC

DN	d	L	H	W	Weight KG	Cv
8	11.6	50.8	60	98	0.23	8
10	12.5	50.8	60	98	0.235	8
15	15	58	62	98	0.3	12
20	20	65.6	62	125	0.46	35
25	25	78.7	80	147	0.74	60
32	32	90	85	147	1.14	100
40	38	105	100	190	1.77	150
50	50	124	108	190	2.74	370
65	63	146.2	136	250	5.23	450
80	76	163.7	146	250	7.37	825

NPS	d	L	H	W	Weight LB	Cv
1/4"	0.46	2.00	2.36	3.86	.50	8
3/8"	0.49	2.00	2.36	3.86	.52	8
1/2"	0.59	2.28	2.44	3.86	.66	12
3/4"	0.79	2.58	2.44	4.92	1.0	35
1"	0.98	3.10	3.15	5.79	1.63	60
1-1/4"	1.26	3.54	3.35	5.79	2.51	100
1-1/2"	1.50	4.13	3.94	7.48	3.9	150
2"	1.97	4.88	4.25	7.48	6.0	370
2-1/2"	2.48	5.76	5.35	9.84	11.5	450
3"	2.99	6.44	5.75	9.84	16.2	825



Canada's Valve Specialist

DUE TO CONTINUOUS DEVELOPMENT OF OUR PRODUCTS, WE RESERVE THE RIGHT TO MODIFY OUR PRODUCT DESIGN OR CONSTRUCTION WITHOUT PRIOR NOTICE.