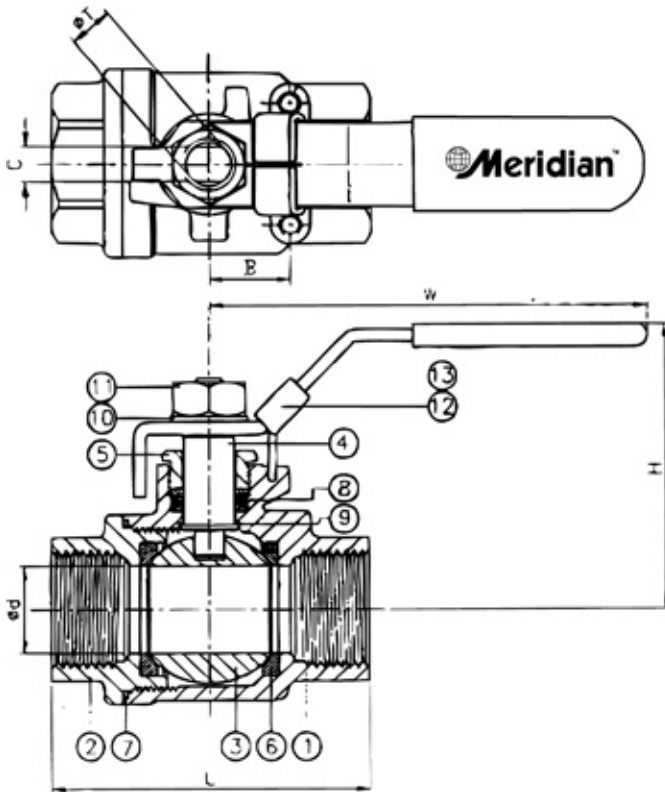




# Meridian™ Ball Valve

Model #: M21SF

## 1000 WOG 2-PIECE FULL BORE



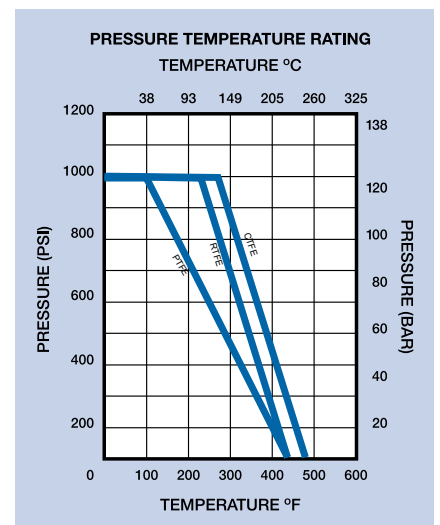
### FEATURES

- Threaded ends conform to ASME B1.20.1 (NPT)
- Investment casting
- Blow-out proof stem
- 1000 psi (1/4" to 4")
- Glassfibre filled PTFE seats
- PTFE seal and packing
- Latch lock handle
- Mounting pad

ITEM	PARTS	MATERIAL
1	BODY	ASTM A351-CF8M
2	END CAP	ASTM A351-CF8M
3	BALL	ASTM A351-CF8M
4	STEM	ASTM A276-316
5	GLAND NUT	AISI 304
6	BALL SEAT	R-PTFE
7	BODY SEAL	PTFE
8	PACKING	PTFE
9	THRUST WASHER	PTFE
10	SPRING WASHER	AISI 304
11	NUT	AISI 304
12	HANDLE	AISI 304
13	HANDLE SLEEVE	PVC

DN	d	L	H	W	Weight KG	Cv
8	11.6	60	50	100	0.26	8
10	12.7	60	50	100	0.28	8
15	15	65	50	100	0.30	12
20	20	78	60	125	0.55	35
25	25	90	70	160	0.84	60
32	32	100	80	160	1.26	100
40	38	120	90	190	2.00	150
50	50	138	90	190	3.13	370
65	65	166	145	250	6.00	450
80	80	195	145	250	10.1	825
100	100	260	160	318	20.7	1900

NPS	d	L	H	W	Weight LB	Cv
1/4"	0.46	2.36	1.97	3.94	0.57	8
3/8"	0.50	2.36	1.97	3.94	0.62	8
1/2"	0.59	2.56	1.97	3.94	0.66	12
3/4"	0.79	3.07	2.36	4.92	1.21	35
1"	0.98	3.54	2.76	6.30	1.85	60
1-1/4"	1.26	3.94	3.15	6.30	2.78	100
1-1/2"	1.50	4.72	3.54	7.48	4.41	150
2"	1.97	5.43	3.54	7.48	6.90	370
2-1/2"	2.56	6.54	5.71	9.84	13.2	450
3"	3.15	7.68	5.71	9.84	22.3	825
4"	3.94	10.2	7.01	12.5	45.6	1900



Canada's Valve Specialist

DUE TO CONTINUOUS DEVELOPMENT OF OUR PRODUCTS, WE RESERVE THE RIGHT TO MODIFY OUR PRODUCT DESIGN OR CONSTRUCTION WITHOUT PRIOR NOTICE.